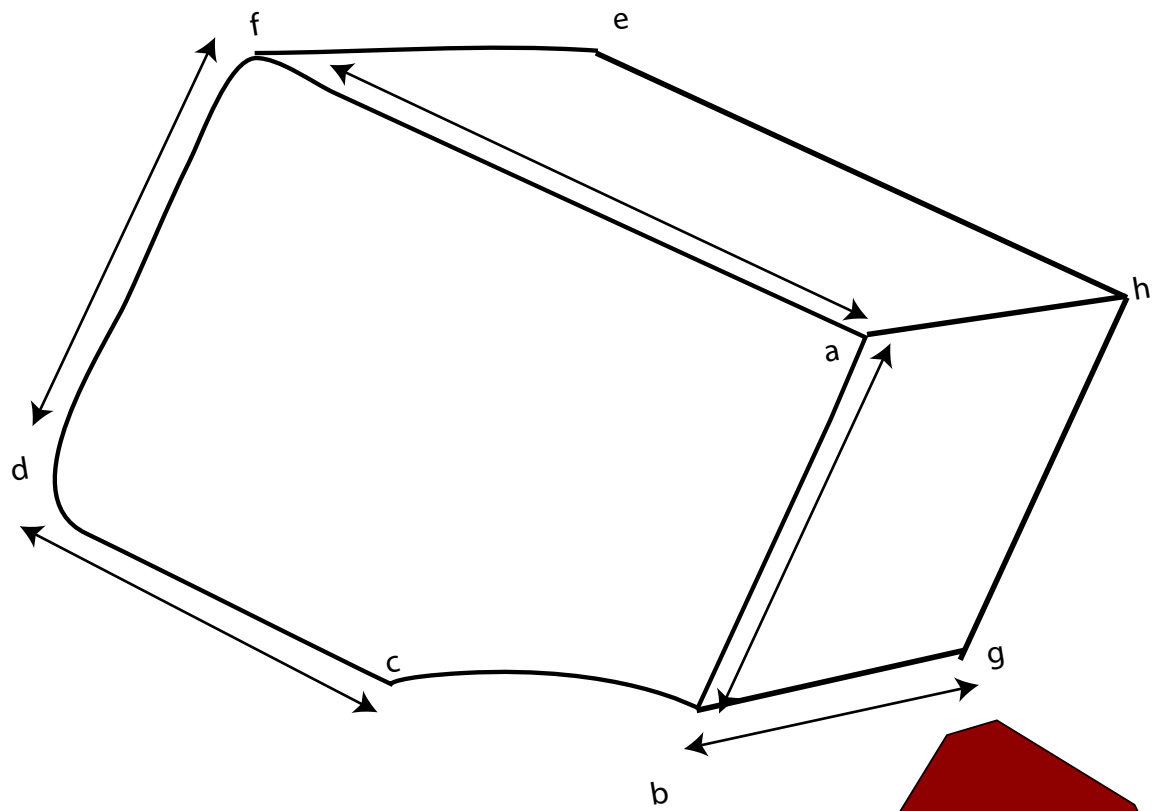


Measurements required

- a to b.....
- c to d.....
- d to f.....
- f to a.....
- b to g.....

Measuring for an engine bag



This is the area you will be measuring.  
Engine bag fits here

